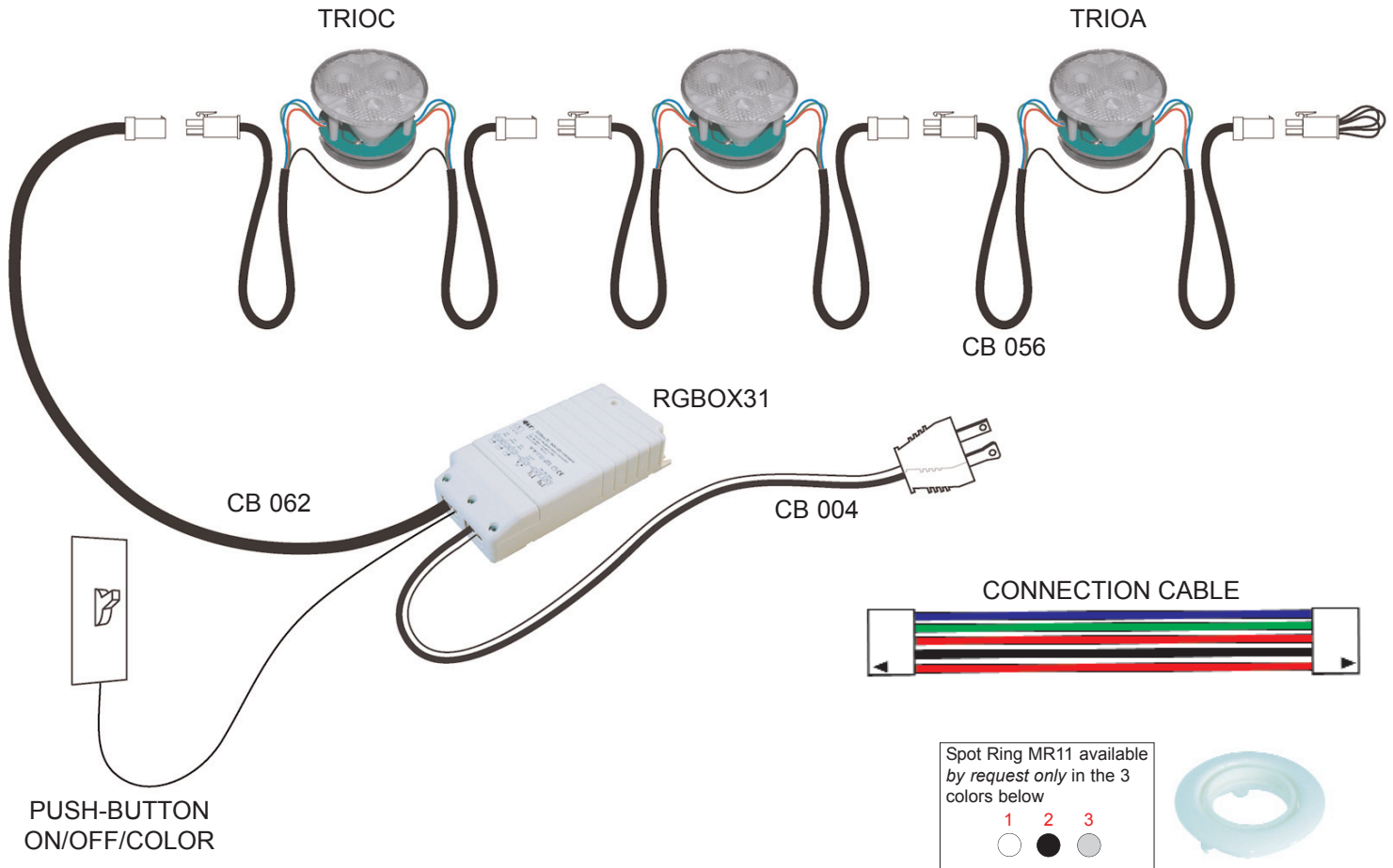


“RGB & Natural Light” Power LED Kit

KIT EXAMPLE



Kit RGB-Natural Light - High Brightness LED spots

- The kit is supplied with installation instructions and the LED driver fitted with suitable primary and secondary cables.
- push-button color control, on/off, dimming and memory.

(MR 16 plastic ring available on request)

Model	LED N° mod	Cables		Converter	Box			Part Number
		Input	Output		A	B	C	
KRGBOX		CB 004 + CB 062		RGBOX31	7.9" x 6.5" x 4.5"			QT-KRGBOX31B
K3TRIOC	3 x TRIOC	CB 004 + CB 062	3 x CB 056	RGBOX31	12" x 7.6" x 4.5"			QT-K03TRICRG
K6TRIOC	6 x TRIOC	CB 004 + CB 062	6 x CB 056	RGBOX31	12" x 10.2" x 4.5"			QT-K06TRICRG
K9TRIOC	9 x TRIOC	CB 004 + CB 062	9 x CB 056	RGBOX31	12" x 10.2" x 4.5"			QT-K09TRICRG
K3TRIOA	3 x TRIOA	CB 004 + CB 062	3 x CB 056	RGBOX31	12" x 7.6" x 4.5"			QT-K03TRIARG
K6TRIOA	6 x TRIOA	CB 004 + CB 062	6 x CB 056	RGBOX31	12" x 10.2" x 4.5"			QT-K06TRIARG
K9TRIOA	9 x TRIOA	CB 004 + CB 062	9 x CB 056	RGBOX31	12" x 10.2" x 4.5"			QT-K09TRIARG