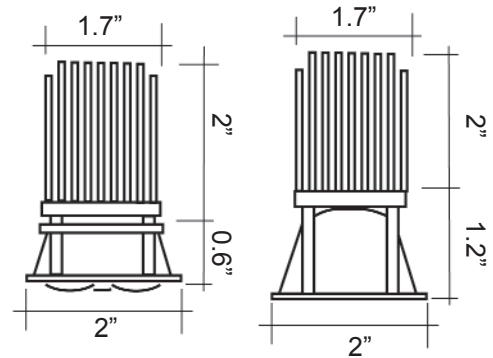


“TRIOPower” Power LED Spot

High Brightness LED spot - 3 x 700mA

- Light power 240 - 490 lumen
- Suitable for being built in standard Ø 2” down-lights (MR 16 size)
- Supplied with a 3.3ft cable and Mini Amp connector
- Different lens degrees available: narrow, medium and wide beam.
- White LED color standard. Other LED colors available on request.



| Model | W Equivalent Power | Lumen Type | Lux @1m (cd) | | | Flat | V (typ.) | I (typ.) | Part Number |
|---------|--------------------|------------|--------------|--------|------|------|----------|----------|--------------|
| | | | Narrow | Medium | Wide | | | | |
| TRIOP 1 | 18 | 240 | 3400 | 1100 | 360 | 408 | 10.6V | 700mA | QT-TRIOPX00X |
| TRIOP T | 27 | 346 | 4700 | 1400 | 450 | 500 | 9.6V | 700mA | QT-TRIOPXT0X |
| TRIOP U | 37 | 495 | 6000 | 1800 | 560 | 630 | 9.6V | 700mA | QT-TRIOPXU0X |

Lens

- N - Narrow Diffused
- M - Medium Diffused
- W - Wide Diffused
- F - Wide Flat Precision
- R - Mini Narrow Diffused
- O - Mini Medium Diffused
- S - no lens

please specify LED color

- White - B ○
- Warm White - W ●
- Red - R ●
- Green - V ●
- Amber - A ●
- Blue - C ●

