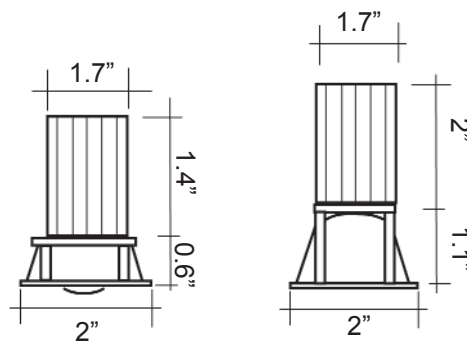


“MONOPower” Power LED Spot

High Brightness LED spot - 3W - 700mA

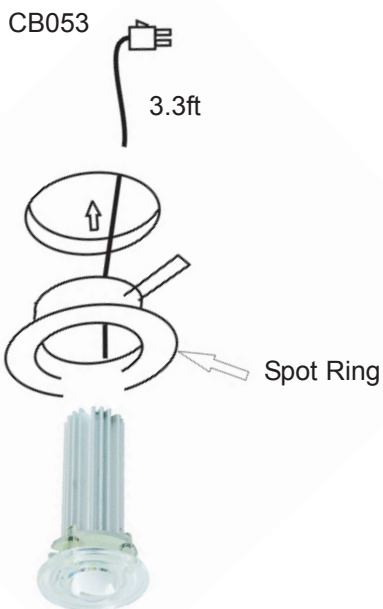
- Light power 80 - 160 lumen
- MONOP 2 and F are suitable for being built in standard Ø 1.4” down-lights (MR 11 size)
- Supplied with 3.3ft cable and Mini Amp connector
- Different lens degrees available: narrow, medium and wide beam.
- White LED color standard. Other LED colors available on request.



MONOP F MR11
Flat Precision

MONOP3 1/2MR11
Diffused

Model	W Equivalent Power	Lumen Type	Lux @1m (cd)				V (typ.)	I (typ.)	Part Number
			Narrow	Medium	Wide	Flat			
MONOP	6	80	1360	440	140	120	3.6V	700mA	QT-MONOPXX00X
MONOP T	10	130	1900	710	710	700	3.1V	700mA	QT-MONOPXXT0X
MONOP U	12	160	4480	880	800	800	3.1V	700mA	QT-MONOPXXU0X



Lens

- N - Narrow Diffused
- M - Medium Diffused
- W - Wide Diffused
- F - Wide Flat Precision
- R - Mini Narrow Diffused
- O - Mini Medium Diffused
- S - no lens

please specify LED color

- White - B ○
- Warm White - W ●
- Red - R ●
- Green - V ●
- Amber - A ●
- Blue - C ●