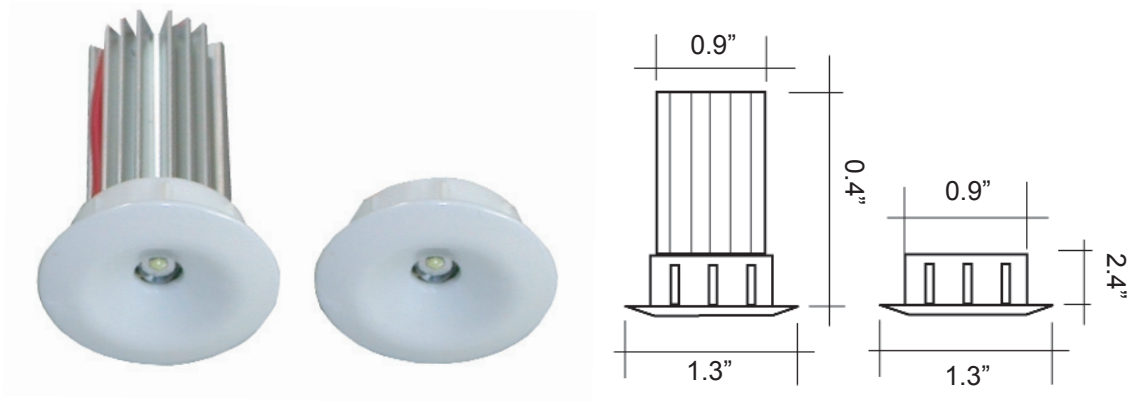


# “MINI” Power LED Mini Spot

## High Brightness LED spot - 350/700mA

- Light power 50 - 100 lumen
- Pressure assembly into a Ø 1” hole
- Supplied with 1ft cable and Mini Amp connector
- White LED color standard. Other LED colors available on request.



Model	W Equivalent Power	Lumen Type	Lux @ 1m diffused	V (typ.)	I (typ.)	Part Number
MINI 1	3.5	50	17	3.6V	350mA	QT-MINI1000X
MINI T	6	80	25	3.1V	350mA	QT-MINIT000X
MINI U	7.5	100	28	3.1V	350mA	QT-MINIU000X
MINI P	6	85	25	3.6V	700mA	QT-MINIP000X

Plastic cover included,  
please specify color

1 2 3 4

please specify LED color

White - B ○  
Warm White - W ●  
Red - R ●  
Green - V ●  
Amber - A ●  
Blue - C ●

